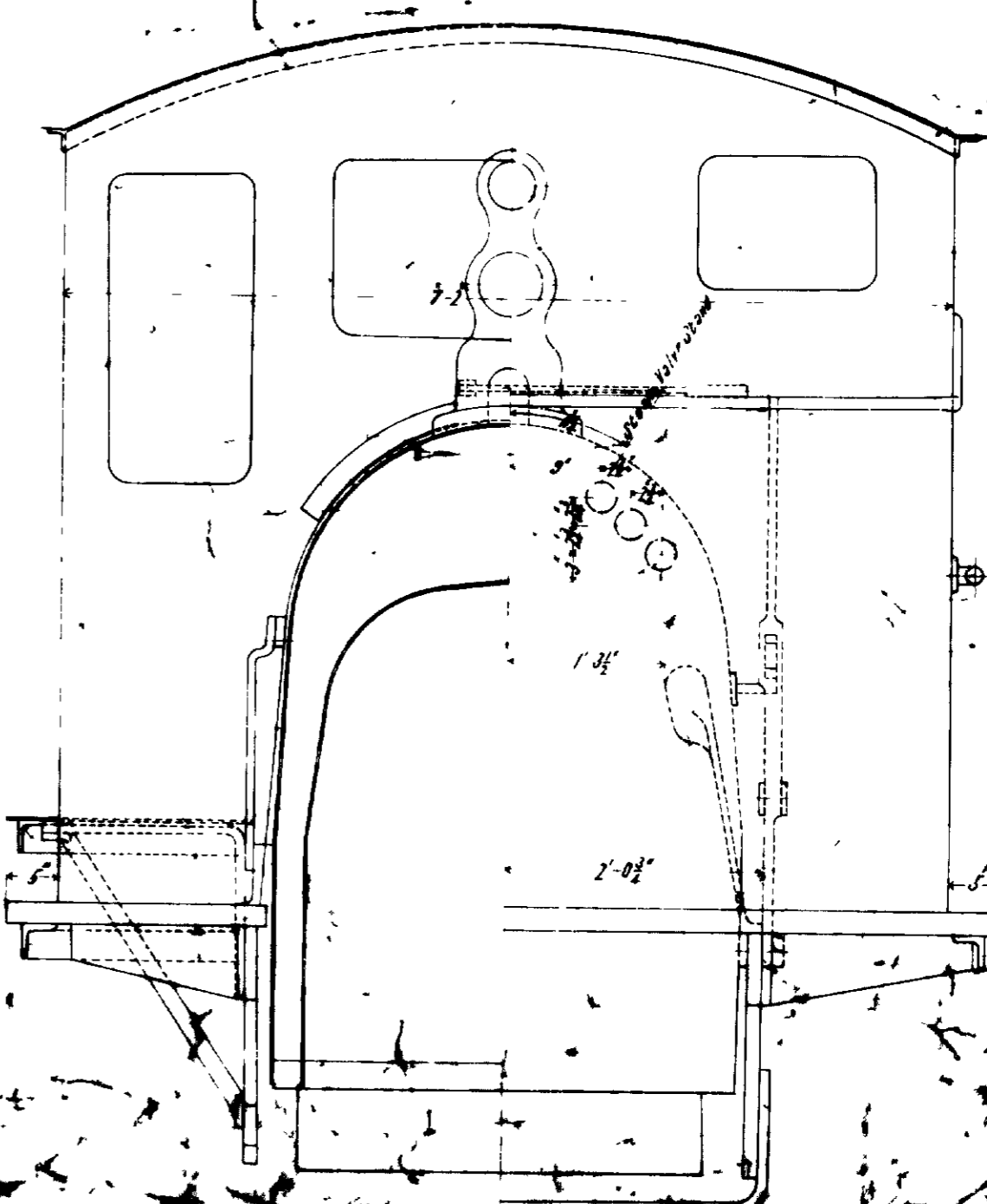
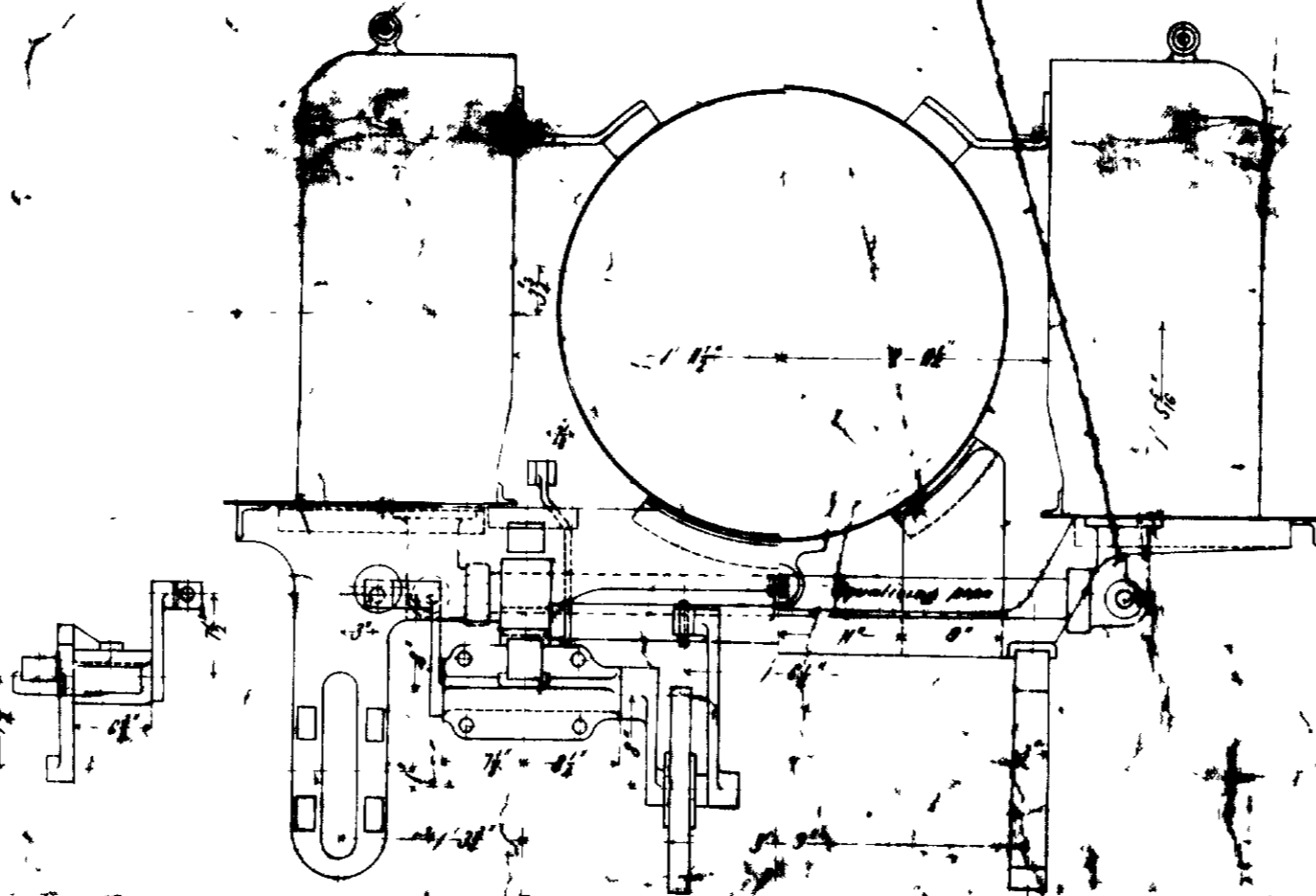
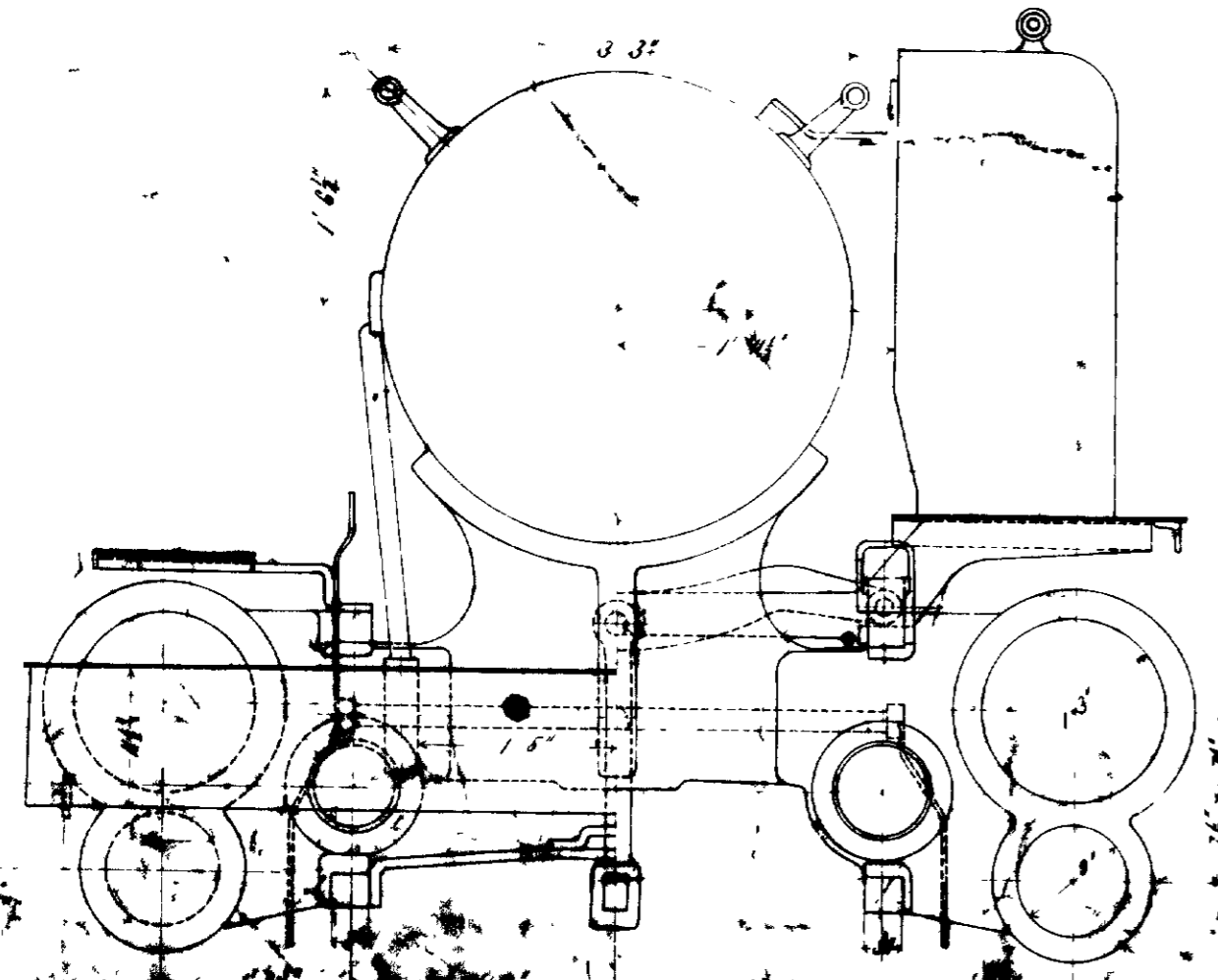
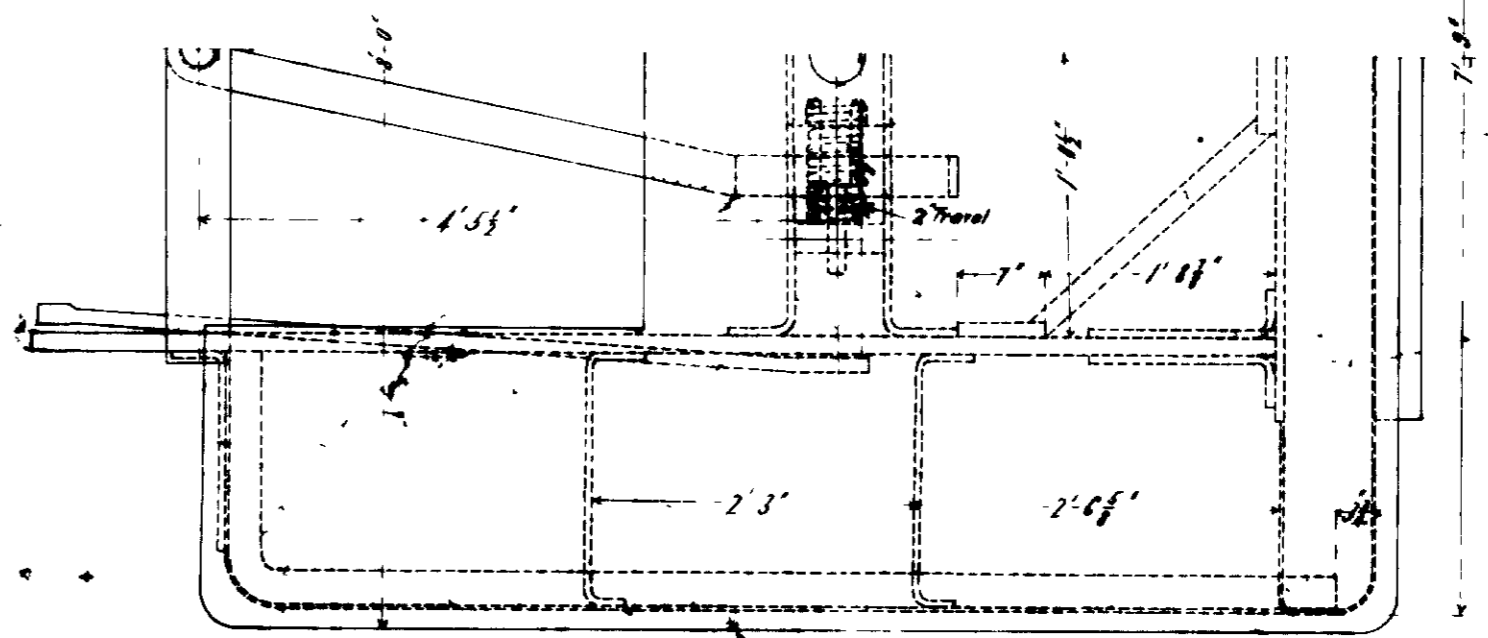
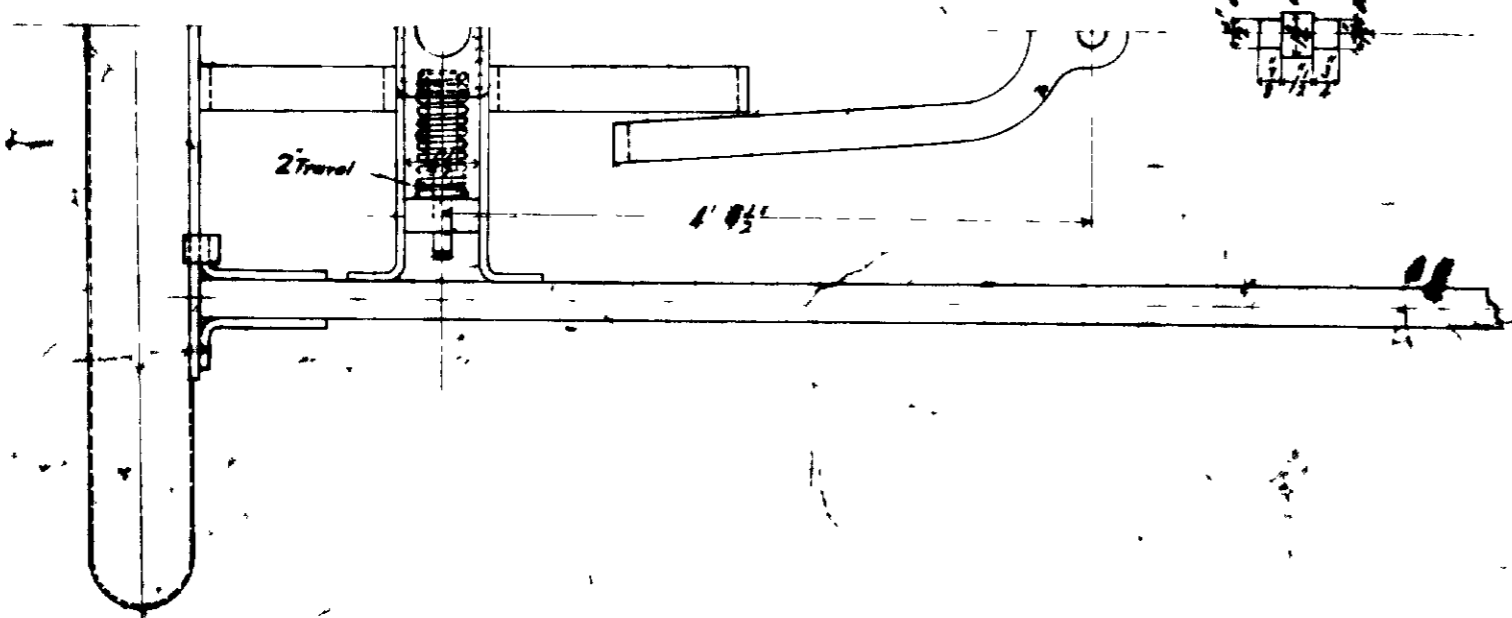
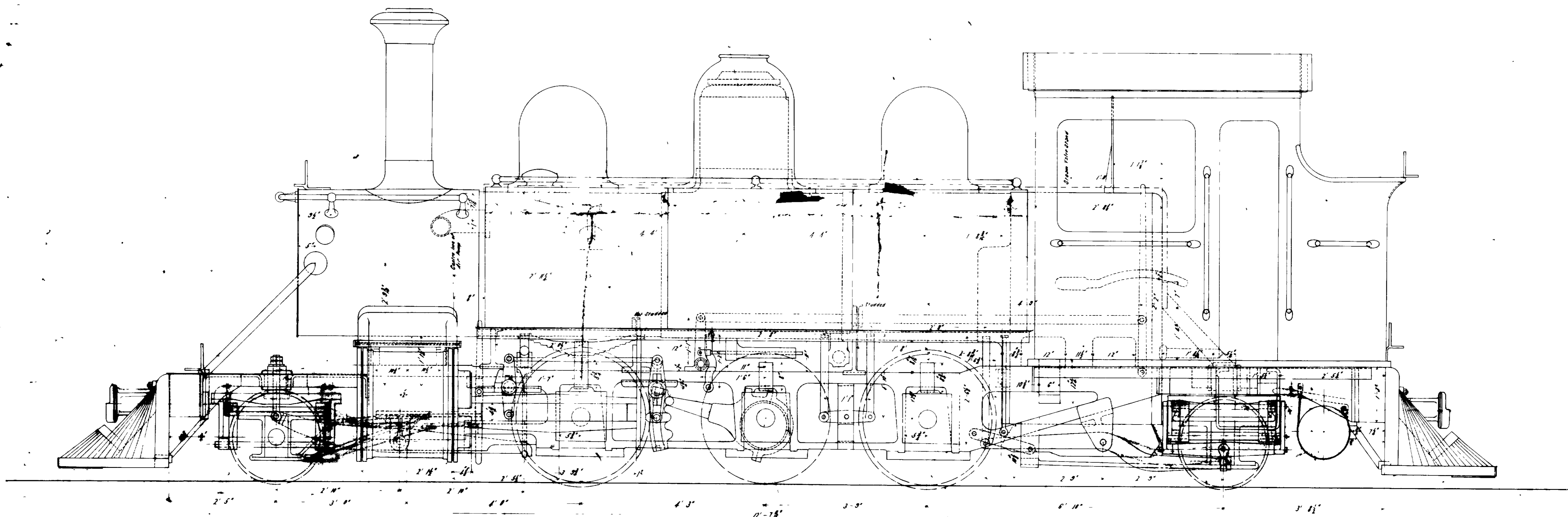


VICTORIAN — RAILWAYS —  
— G. M. E. BRANCH —  
General Arrangement of Compound Locomotive  
— Scale 1/4 Inch = 1 Foot —



Wm. K. L. & Co. Engineers  
1025